

IP Speaker™



Standard Wall-Mounted Speaker

Easily connect loudspeaker systems to existing computer networks with IP Speaker™

The DDC IP Speaker is a Power over Ethernet (PoE) loudspeaker that requires only a RJ-45 connector to connect to existing data networks.

IP Speaker is compatible with the InformaCast™ Broadcast System by Berbee. Support of the Multicast IP protocol allows simultaneous broadcast to both phones and speakers. Easily create subsets of phones and speakers to send broadcasts to specific rooms, departments, or groups as needed.

Add options such as wireless connections, synchronized clock displays, and non PoE versions to make the loudspeaker system even more powerful and personalized to a facility's requirements.

Features

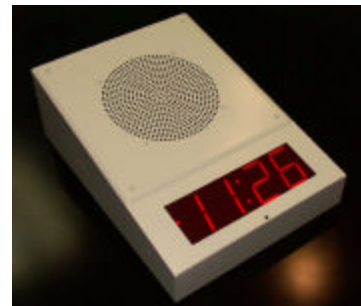
- ◆ Line out and amplified out
- ◆ Multicast support
- ◆ Minimal delay
- ◆ Easy to install – Built-in test tones allow quick checkout of installation
- ◆ Can work with traditional high voltage wiring
- ◆ Available in several different configurations
- ◆ Inter-operates with Cisco VoIP networks and phones and with Berbee InformaCast™
- ◆ Capability to control other local devices
- ◆ Web (HTTP) interface for status and control
- ◆ Software can be automatically upgraded for future needs

Options

- ◆ A wireless network connection (802.11)
- ◆ PoE and non-PoE
- ◆ A synchronized clock display
- ◆ Several different speaker configurations:
 - ◆ Horns
 - ◆ Weatherproof
 - ◆ Ceiling panels
 - ◆ Wall panels
 - ◆ Vandal proof
- ◆ Option for existing installations (i.e. high voltage wiring)

Specifications

- ◆ 96dB SPL 1 Watt at 1 meter
- ◆ 8W total audio output power
- ◆ 10/100 mbit network connection
- ◆ Optional 802.11g connection
- ◆ Size: 10"x 8"x 6"
- ◆ Weight: under 4 lbs.



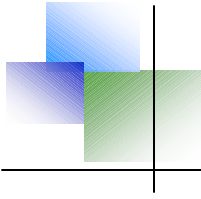
Speaker with Optional Clock Display

Digital Design Corporation

657 First Bank Drive, Palatine, IL 60067

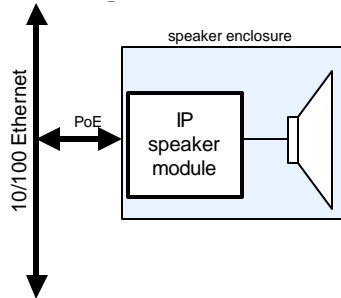
Phone: 847-359-3828 • Fax: 847-359-5418

Website: www.digidescorp.com • E-Mail: sales@digidescorp.com

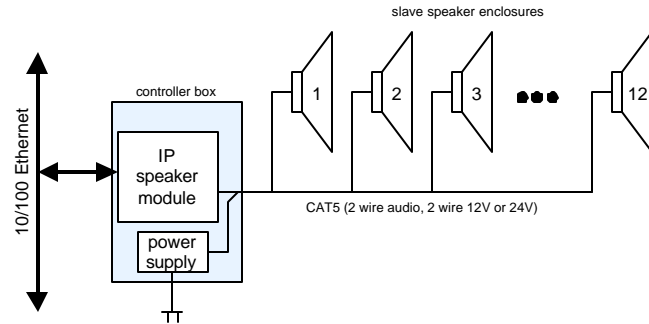


IP Speaker™ Configurations

Single Speaker



Multi-Speaker



The IP Speaker multi-speaker module allows a paging zone to be created at a significantly lower cost when upgrading existing speaker systems. This solution allows a single IP interface module to drive a group of up to 12 speakers in a common zone with the full audio quality, volume, performance and flexibility of the single IP Speaker model. The multi-speaker configuration may be mixed with individual IP Speakers in any combination as required by each installation.

This cost saving installation approach works well for hallways, large rooms such as gymnasiums, auditoriums, meeting rooms, etc. where individual speaker addressability is not required.

Features

- Single IP interface module can drive up to 12 zone speakers
Each zone speaker is self-amplified, providing high audio quality and volume
All speakers in a zone can share a single CAT5 cable to reduce cable installation costs

Options

- Can interface to existing paging solutions, including:
Traditional 70V paging systems
ValCom powered speaker zones